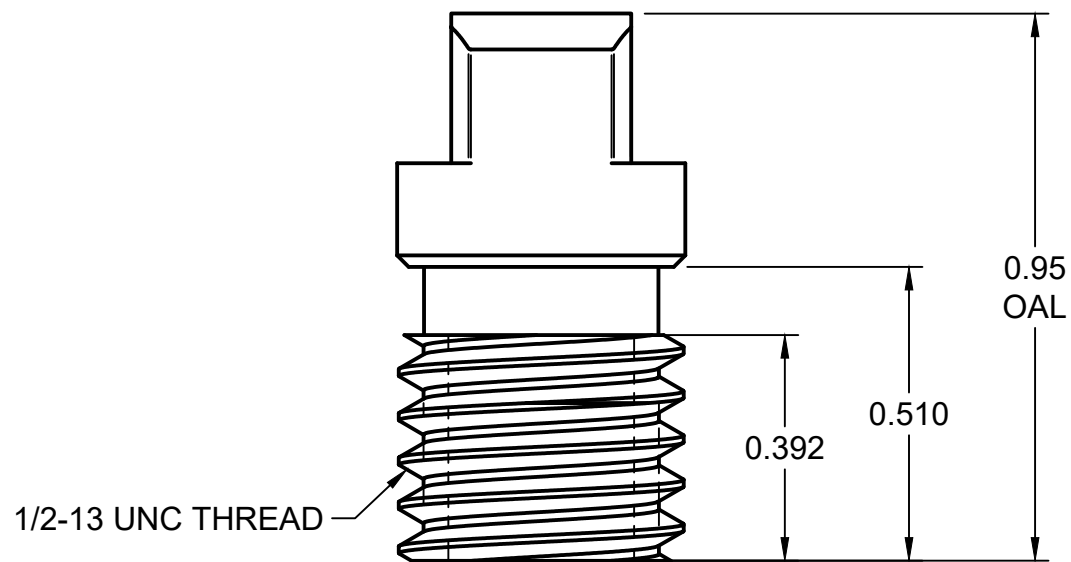
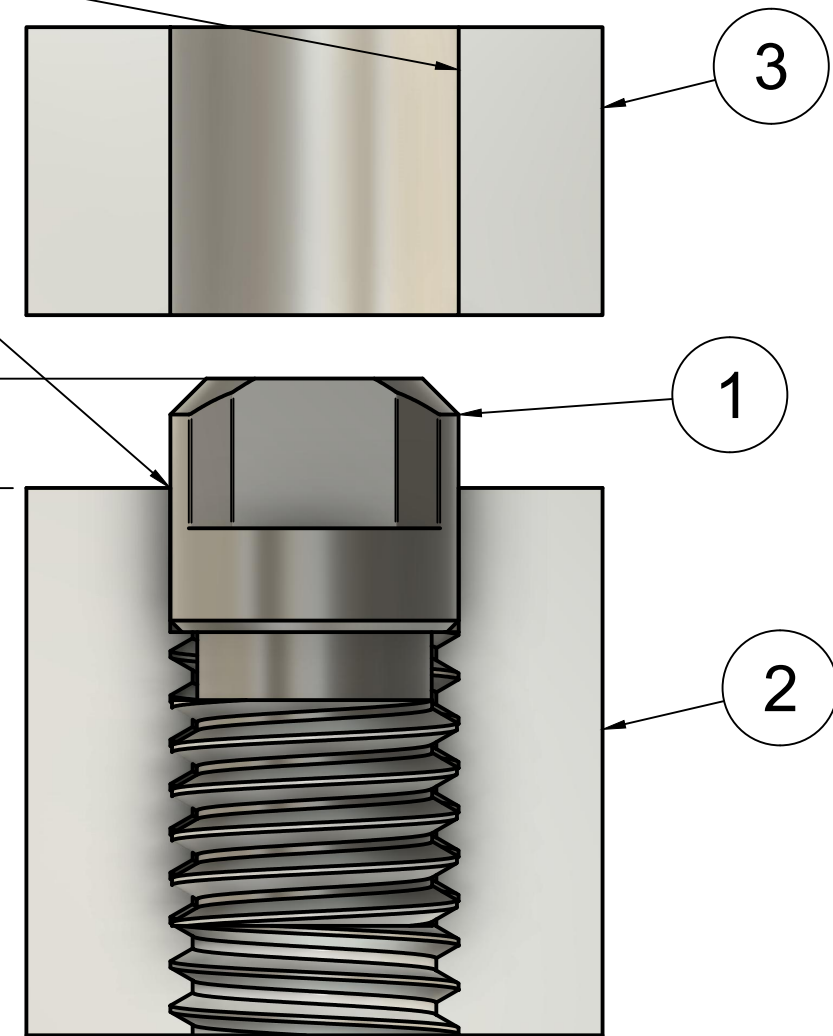
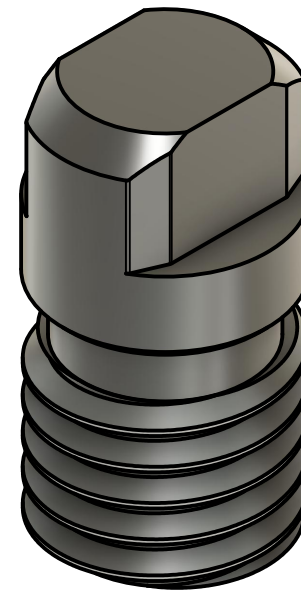


Ø0.5005 ± 0.0002  
RECOMMENDED BORE Ø

└┐Ø0.5005 ± 0.0002 √ 0.25  
SMW FIXTURE PLATE CBORE Ø  
(RECOMMENDED Ø FOR CUSTOM FIXTURES)

0.190  
MIN STICKOUT  
WITH SMW FIXTURE PLATE



PARTS LIST	
ITEM	PART NUMBER
1	SMW 1/2" PIN
2	FIXTURE PLATE CUTAWAY
3	PALLET CUTAWAY



PROJECT  
**Saunders Machine Works**

TITLE  
**1/2" Fixturing Pin  
Critical Dimensions & Tolerances**

APPROVED	SIZE	CODE	DWG NO	REV
CHECKED	B			2
DRAWN Alex Pinson 11/21/2021	SCALE 1:1	WEIGHT	SHEET 1/1	

ALL DIMENSIONS IN INCHES